

# SMD POWER INDUCTORS

## Series PL - P

### FEATURE

- ◆ Low profile very effective in spective in space-conscious applications.
- ◆ High energy storage and very low resistance.
- ◆ Super low resistance with high current rating.

### APPLICATION

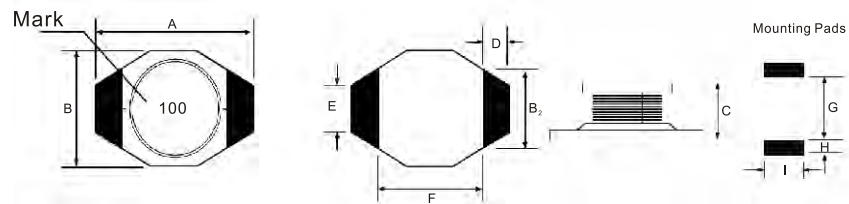
- ◆ Notebook computer.
- ◆ Battery power equipment.
- ◆ Step-up Step-down converters.
- ◆ Digital camera & scanner. CD/DVD ROM/RW
- ◆ Interface card for VGA ' Sound Card..

### PRODUCT IDENTIFICATION

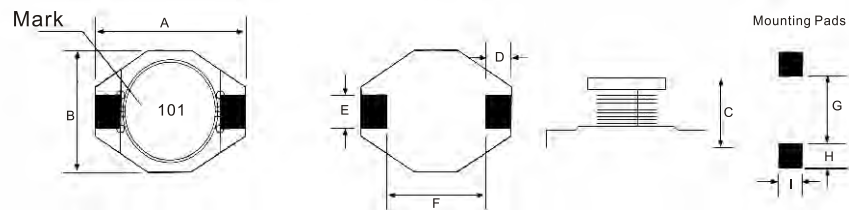
PL 94 P 11 1 C 10U  
a b c d e f g

- a : Type of Products - SMD Power Inductors PL - P series  
 b : Dimension(mm) - 45 : 6.6X4.45, 80 : 10.7X8.2, 94 : 13X9.4, A5 : 18.8X15.5  
 c : Materials - Base on Plastics  
 d : Thickness(mm) - 02 = 2.92, 03 = 3.2, 05 = 5.5, 11 = 11.5, 07 = 7.5  
 e : Packing - PCS/REEL - C = 200, D = 250, 1 = 1000, 2 = 2000  
 f : Tolerance - K :  $\pm 10\%$ . M :  $\pm 20\%$   
 g : Inductance - 100N = 0.1  $\mu$  H, 10U = 10.0  $\mu$  H, 1M2 = 1200  $\mu$  H

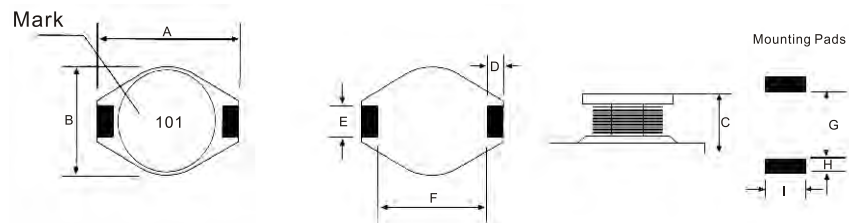
### SHAPES & DIMENSION FOR PL45P02



### SHAPES & DIMENSION FOR TYPE PL94P03, PL94P05, PL94P11, PL80P05



### SHAPES & DIMENSION FOR PLA5P07



Unit : mm

Type	A	B	B <sub>2</sub>	C	D	E	F	G	H	I
PL45P02	6.6 max.	4.45 max.	2.34	2.92 max.	0.76	1.27	4.83	4.57	1.14	3.05
PL80P05	10.7 max.	8.2 max.	---	5.5 max.	2.10	2.00	6.0	5.20	2.6	2.25
PL94P03	13.0 max.	9.4 max.	---	3.2 max.	2.54	2.54	8.0	7.37	3.0	2.79
PL94P05	13.0 max.	9.4 max.	---	5.5 max.	2.54	2.54	8.0	7.37	3.0	2.79
PL94P11	13.0 max.	9.4 max.	---	11.5 max.	2.54	2.54	8.0	7.37	3.0	2.79
PLA5P07	18.8 max.	15.5 max.	---	7.5 max.	2.54	2.54	13.5	12.45	3.0	2.79

## SMD POWER INDUCTORS

### Series PL - P

### ELECTRICAL CHARACTERISTICS

TEST FREQUENCY : 0.1v / 100 Khz

Part Number	Inductance ( $\mu$ H)	SRF(MHz) typ.	RDC ( $\Omega$ ) max.	Irms (A) max.	Isat (A) max.
PL45P022M1U	1.0	130	0.05	2.90	2.90
PL45P022M1U5	1.5	115	0.05	2.80	2.60
PL45P022M2U2	2.2	90	0.07	2.40	2.30
PL45P022M3U3	3.3	70	0.08	2.00	2.00
PL45P022M4U7	4.7	50	0.09	1.50	1.50
PL45P022M6U8	6.8	45	0.13	1.40	1.20
PL45P022M10U	10	35	0.16	1.10	1.10
PL45P022M15U	15	30	0.23	1.00	0.90
PL45P022M22U	22	20	0.37	0.80	0.70
PL45P022M33U	33	15	0.51	0.60	0.58
PL45P022M47U	47	14	0.64	0.50	0.50
PL45P022M68U	68	11	0.86	0.40	0.50
PL45P022M100U	100	9	1.27	0.30	0.31
PL45P022M150U	150	6	2.00	0.25	0.27
PL45P022M220U	220	5.5	3.11	0.20	0.22
PL45P022M330U	330	5	3.80	0.16	0.18
PL45P022M470U	470	4	5.06	0.15	0.16
PL45P022M680U	680	3	9.20	0.12	0.14
PL45P022M1M	1000	2	13.8	0.07	0.10
PL80P051M3U3	3.3	50	0.030	3.70	7.00
PL80P051M4U7	4.7	40	0.018	3.30	6.00
PL80P051M6U8	6.8	30	0.050	2.70	5.00
PL80P051M10U	10	23	0.060	2.30	4.00
PL80P051M15U	15	20	0.080	2.10	3.00
PL80P051M22U	22	16	0.130	1.50	2.50
PL80P051M33U	33	12	0.180	1.30	2.00
PL80P051M47U	47	11	0.260	1.10	1.80
PL80P051M68U	68	9	0.350	1.00	1.50
PL80P051M100U	100	7	0.580	0.70	1.00
PL80P051M150U	150	5	0.750	0.60	0.90
PL80P051M220U	220	4	1.050	0.50	0.80
PL80P051M330U	330	3.5	1.600	0.45	0.60
PL94P031M10U	10	35	0.11	2.00	2.40
PL94P031M15U	15	33	0.15	1.50	2.00
PL94P031M22U	22	25	0.23	1.30	1.60
PL94P031M33U	33	19	0.3	1.10	1.40
PL94P031M47U	47	14	0.39	0.80	1.00
PL94P031M68U	68	12	0.66	0.70	0.90
PL94P031M100U	100	10	0.84	0.60	0.70
PL94P031M150U	150	8	1.20	0.50	0.60
PL94P031M220U	220	6	1.90	0.40	0.50
PL94P031M330U	330	5	2.70	0.30	0.40
PL94P031M470U	470	4	4.00	0.20	0.20
PL94P031M680U	680	3	5.30	0.10	0.20
PL94P031M1M	1000	2.5	8.4	0.05	0.10
PL94P051M1U	1.0	150	0.009	6.80	9.00
PL94P051M1U5	1.5	100	0.010	6.40	8.00

## SMD POWER INDUCTORS

### Series PL - P

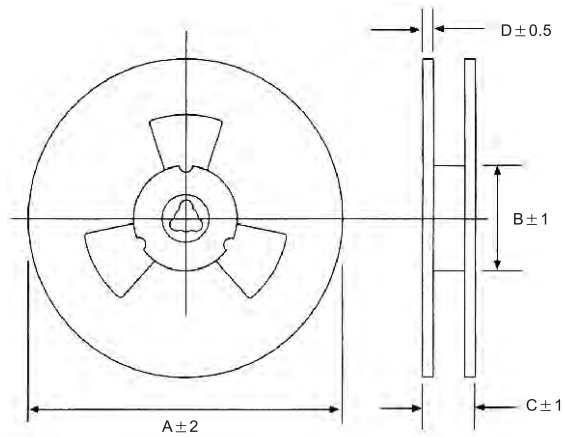
### ELECTRICAL CHARACTERISTICS

TEST FREQUENCY : 0.1v / 100 Khz

Part Number	Inductance ( $\mu$ H)	SRF(MHz) typ.	RDC ( $\Omega$ ) max.	Irms (A) max.	Isat (A) max.
PL94P051M2U2	2.2	85	0.012	6.10	7.00
PL94P051M3U3	3.3	60	0.015	5.40	5.80
PL94P051M4U7	4.7	45	0.018	4.80	5.20
PL94P051M6U8	6.8	35	0.027	4.40	4.30
PL94P051M10U	10	25	0.038	3.90	3.40
PL94P051M15U	15	20	0.046	3.10	3.00
PL94P051M22U	22	18	0.085	2.70	2.50
PL94P051M33U	33	14	0.100	2.10	2.00
PL94P051M47U	47	11	0.140	1.80	1.80
PL94P051M68U	68	10	0.200	1.50	1.40
PL94P051M100U	100	7	0.280	1.30	1.10
PL94P051M150U	150	65	0.400	1.00	0.90
PL94P051M220U	220	5	0.610	0.80	0.80
PL94P051M330U	330	4	1.020	0.60	0.60
PL94P051M470U	470	3	1.270	0.50	0.50
PL94P051M680U	680	2.5	2.020	0.40	0.40
PL94P051M1M	1000	2	3.000	0.30	0.30
PL94P11CM10U	10	23	0.040	3.50	7.00
PL94P11CM15U	15	14	0.050	3.20	5.80
PL94P11CM22U	22	8.5	0.066	2.90	4.80
PL94P11CM33U	33	7	0.080	2.35	3.80
PL94P11CM47U	47	6.5	0.110	2.10	3.40
PL94P11CM68U	68	4.5	0.170	1.90	2.70
PL94P11CM100U	100	4	0.220	1.55	2.20
PL94P11CM150U	150	3	0.340	1.35	1.90
PL94P11CM220U	220	2.5	0.440	1.00	1.50
PL94P11CM330U	330	2.3	0.700	0.90	1.30
PL94P11CM470U	470	2	0.950	0.75	1.00
PL94P11CM680U	680	1.5	1.200	0.55	0.90
PL94P11CM1M	1000	1.3	2.000	0.50	0.70
PLA5P07DM1U	1	140	0.009	8.60	20.00
PLA5P07DM1U5	1.5	110	0.012	7.50	18.00
PLA5P07DM2U2	2.2	75	0.014	7.10	16.00
PLA5P07DM3U3	3.3	70	0.018	6.20	14.00
PLA5P07DM5U6	5.6	45	0.020	5.30	12.00
PLA5P07DM10U	10	21	0.031	4.30	10.00
PLA5P07DM15U	15	16	0.036	4.00	8.00
PLA5P07DM22U	22	13	0.047	3.50	7.00
PLA5P07DM33U	33	11	0.066	3.00	5.50
PLA5P07DM47U	47	9	0.086	2.60	4.50
PLA5P07DM68U	68	6.5	0.130	2.30	3.50
PLA5P07DM100U	100	5.7	0.190	1.80	3.00
PLA5P07DM150U	150	4.5	0.250	1.50	2.60
PLA5P07DM220U	220	3.7	0.380	1.20	2.40
PLA5P07DM330U	330	3	0.560	1.00	1.90
PLA5P07DM470U	470	2.7	0.850	0.82	1.40
PLA5P07DM680U	680	2.2	1.100	0.72	1.20
PLA5P07DM1M	1000	2	1.300	0.56	1.00

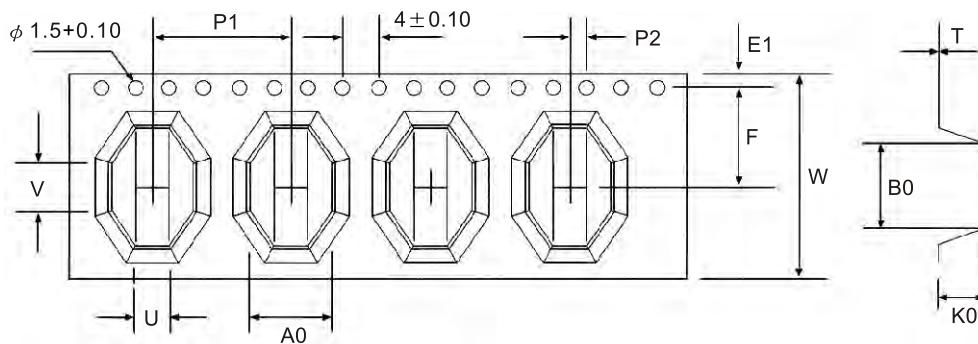
Series PL - P

PACKAGING



Unit : mm

Type	Size	A	B	C	D	PCS/REEL
PL45P02	12mm	$330 \pm 2$	$75 \pm 1$	$13.5 \pm 1$	$2.4 \pm 0.5$	2000
PL80P05	24mm	$330 \pm 2$	$75 \pm 1$	$26 \pm 1$	$2.4 \pm 0.5$	1000
PL94P03	24mm	$330 \pm 2$	$75 \pm 1$	$26 \pm 1$	$2.4 \pm 0.5$	1000
PL94P05	24mm	$330 \pm 2$	$75 \pm 1$	$26 \pm 1$	$2.4 \pm 0.5$	1000
PL94P11	24mm	$330 \pm 2$	$75 \pm 1$	$26 \pm 1$	$2.4 \pm 0.5$	200
PLA5P07	32mm	$330 \pm 2$	$75 \pm 1$	$34 \pm 1$	$2.4 \pm 0.5$	250



Unit : mm

Type	A0	B0	K0	P1	P2	U	V	E1	F	W	T
PL45P02	4.8	6.9	3.2	8	2	1.44	1.34	1.75	5.5	12	0.3
PL80P05	9.7	14.0	5.4	12	2	4.8	4.3	1.75	11.5	24	0.3
PL94P03	9.7	14.0	3.3	12	2	4.8	4.3	1.75	11.5	24	0.3
PL94P05	9.7	14.0	5.4	12	2	4.8	4.3	1.75	11.5	24	0.3
PL94P11	9.7	14.0	11.7	12	2	4.8	4.3	1.75	11.5	24	0.45
PLA5P07	15.54	18.84	7.4	20	2	4.8	5.8	1.75	14.2	32	0.4